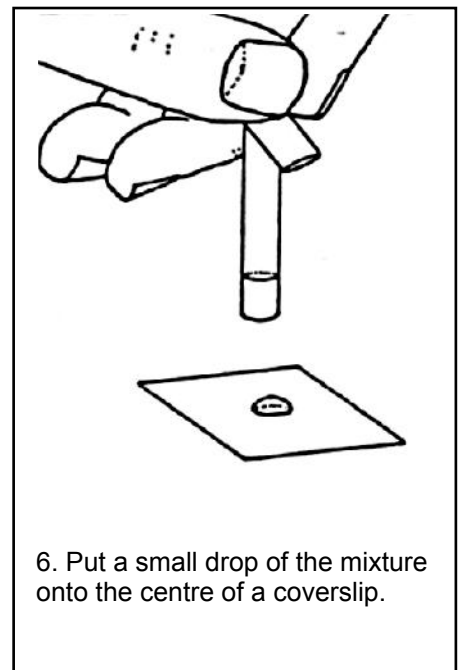
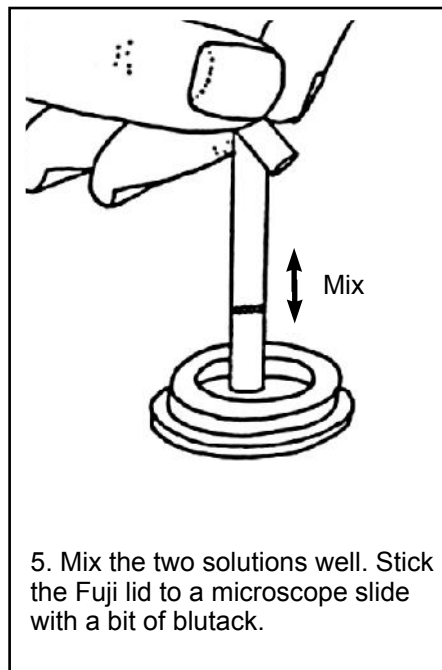
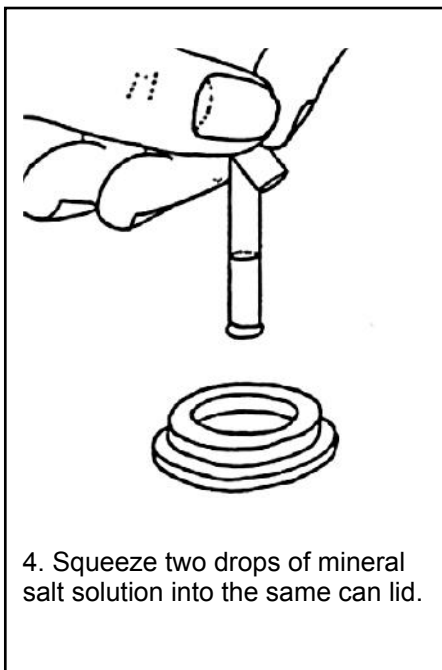
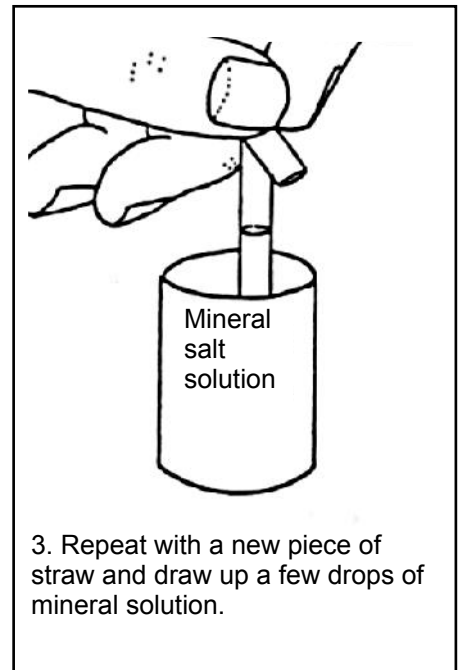
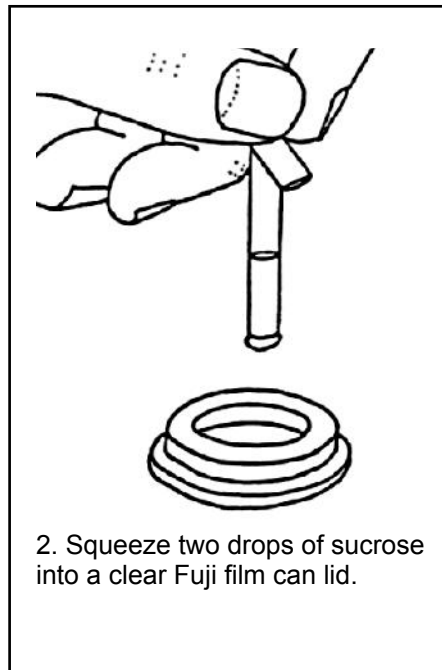
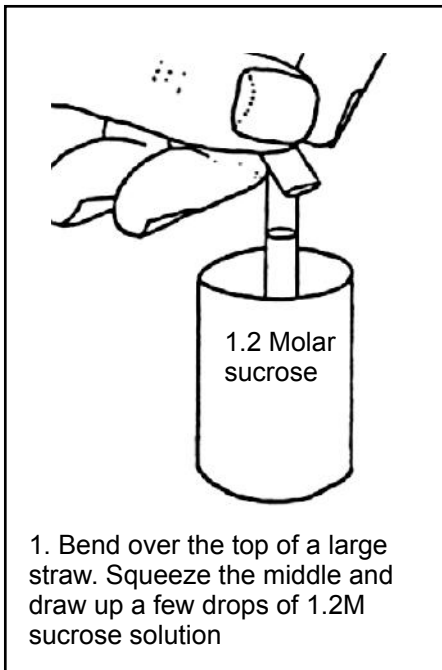
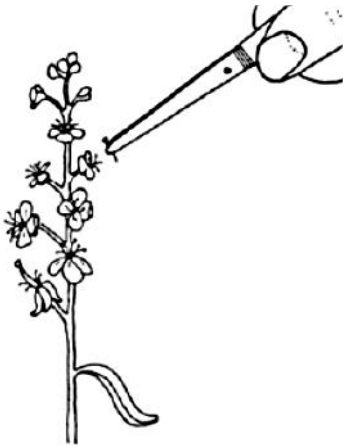


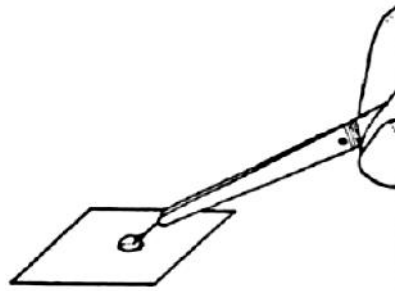
Pollen Tube Growth

Read these instructions carefully before you start.

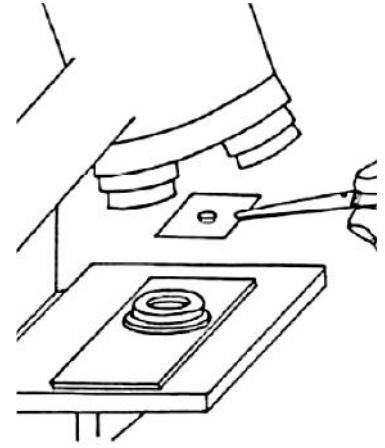




7. Remove a ripe stamen from a young flower.



8. Gently dab the anther onto the drop. Make sure that there is plenty of pollen on the drop



9. Invert the coverslip and put it on the Fuji can lid which is stuck on the microscope slide. Observe the pollen tubes under a low power microscope.